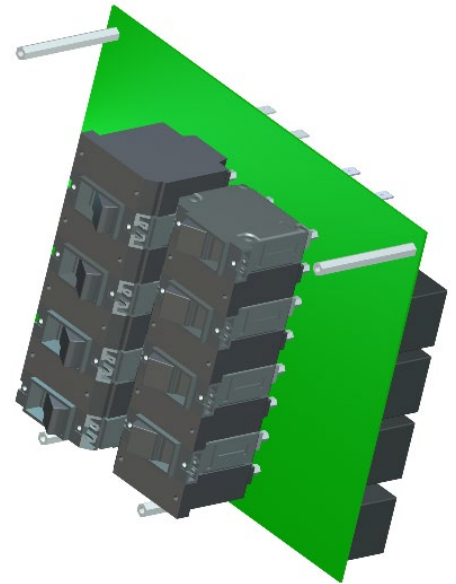


AC Power Distribution Module



Introduction

The E-Plex 439DMAC series has been designed to simplify electronic systems wiring by providing more control over AC loads. The module provides AC distribution and control for 110 and 220 single and split phase applications. Hydraulic magnetic circuit breakers provide traditional circuit protection. The 439DMAC supports a combination of single and double pole breakers. Manual override capabilities are provided through the use of a user defined default relay state with operation via traditional circuit breakers.

The 439DMAC can be combined with the 336PFM or the 442EMS for a robust AC energy management solution.

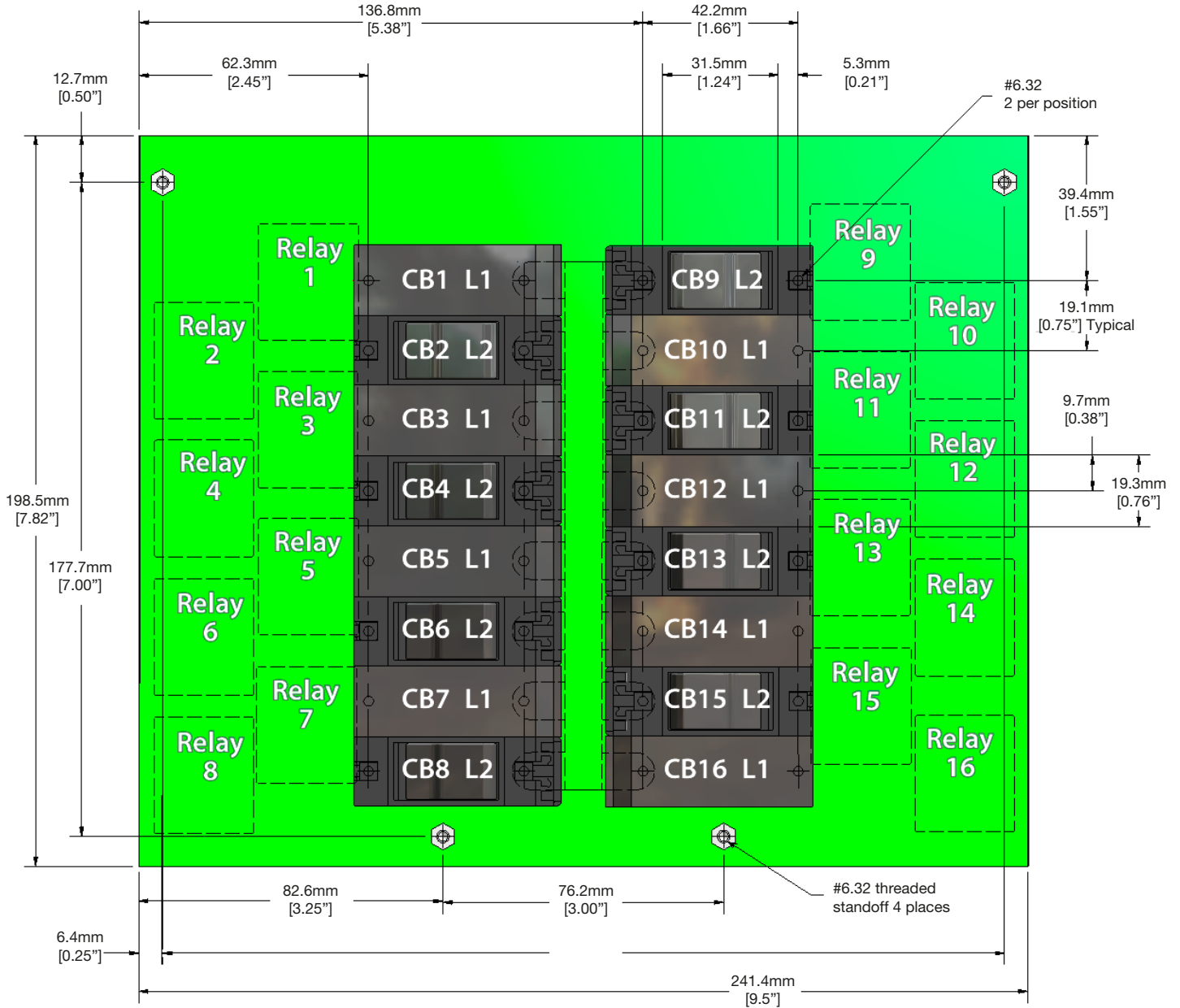
Key Features

- 75A max current per bus.
- 20A max current per channel.
- 16 channels maximum.
- Isolation between high and low voltage systems.
- Independent hydraulic magnetic circuit breakers
Single and double pole breakers available.
- Circuit breaker status monitoring.
- User defined default relay state with operation
via traditional circuit breakers providing manual
override capabilities.
- LEN value 2.

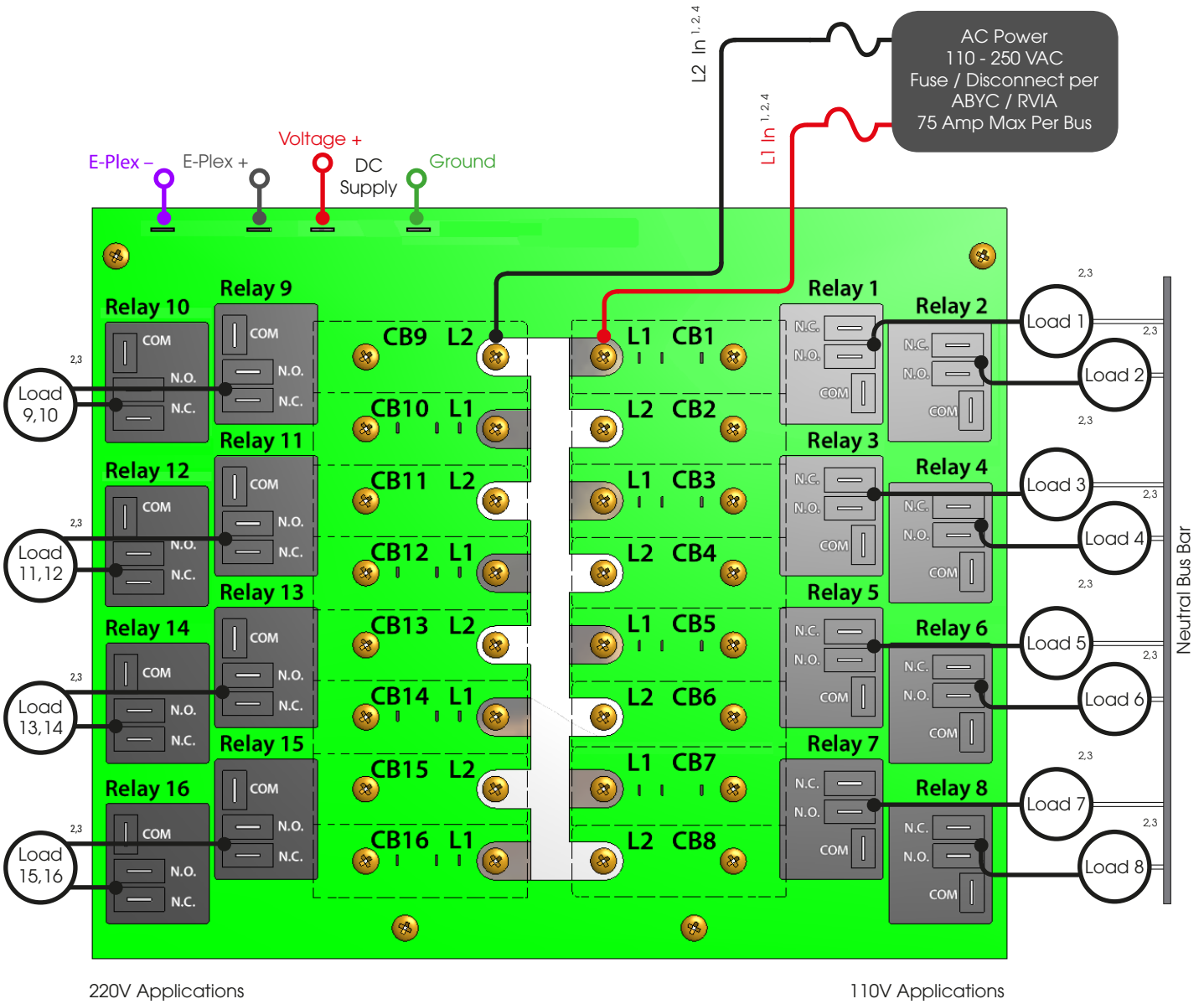
Design Specifications

- Vibration: Tested to Lloyds Registered approval
vibration test 2.
- Transient voltage suppression: EN6100-6-1.
- PCB characteristics: UL94V-0.
- Operating Temperature: -20°C to 60°C.
- Storage Temperature: -40°C to 85°C.
- Operating Humidity: 5% to 75% (non-condensing).

Front View - Physical Dimensions, Bus, Breaker and Relay Configuration



Rear View - Wiring, Bus, Breaker and Relay Configuration



NOTE:

1. Do not over tighten, not to exceed 20 inch/lbs of torque.
2. L1 / L2 load bus can be tied together or operated independently.
3. Common relay output are circuit protected but not controlled by E-Plex
4. Separate ground & neutral bus bars may be required.

Connection Specifications

| Description | Specifications |
|--------------------------------|---------------------|
| AC Operating Voltage | 120/240 VAC per bus |
| AC Operating Current (per bus) | 75A max |
| DC Operating Voltage | 10/32 VDC |
| DC Operating Current | 1.25A max |

Ordering Codes

| Description | Part Number |
|--|-------------------------|
| 439DMAC with crossed buss bars for split phase usage | EP-AC-KIT-DMAC-439-C-01 |
| 439DMAC with straight buss bars for single phase usage | EP-AC-KIT-DMAC-439-S-01 |

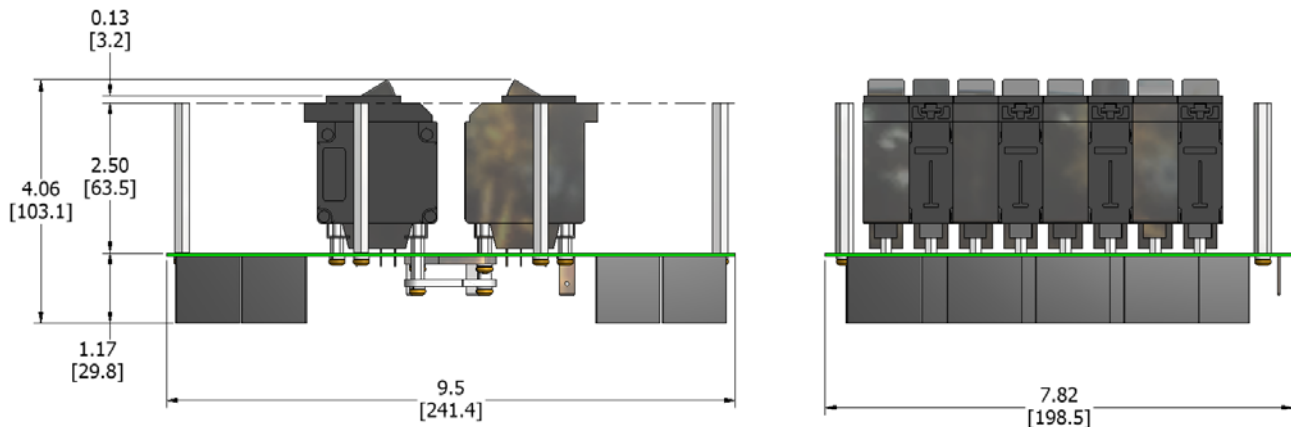
Optional Extras

| Description | Part Number |
|--|----------------------|
| Black Anodised Aluminium Faceplate | EP-AC-DMAC-439-PLATE |
| Ensto Enclosure Machined to accept 439DMAC | EP-AC-DMAC-439-ENCL |

Circuit Breaker Ordering Specifications (circuit breakers ordered separately)

| Single Pole Circuit Breakers | Current Rating | Double Pole Circuit Breakers |
|------------------------------|----------------|------------------------------|
| Part Number | | Part Number |
| MCB-AP-1P-S-05A-EM0154 | 5A | MCB-AP-2P-S-05A-EM0155 |
| MCB-AP-1P-S-10A-EM0141 | 10A | MCB-AP-2P-S-10A-EM0147 |
| MCB-AP-1P-S-15A-EM0142 | 15A | MCB-AP-2P-S-15A-EM0148 |
| MCB-AP-1P-S-20A-EM0143 | 20A | MCB-AP-2P-S-20A-EM0149 |

Module Outline Dimensions : (circuit breakers ordered separately)





52 – 54 Riverside, Sir Thomas Longley Road, Medway City Estate, Rochester, Kent ME2 4DP
tel: +44 (0)1634 711622 fax: +44 (0)1634 290773

email: sales@e-plex.co
web: www.e-plex.co

Important Notice: E-Plex Ltd. (E-Plex) reserves the right to make changes to or discontinue any product or service identified in this publication without notice. E-Plex advises its customers to obtain the latest version of the relevant information to verify, before placing any orders, that the information being relied upon is current. E-Plex assumes no responsibility for infringement of patents or rights of others based on E-Plex applications assistance or product specifications since E-Plex does not possess full access concerning the use or application of customers' products. E-Plex also assumes no responsibility for customers' product designs.