

Resistive Sensor Monitor



Introduction

The E-Plex 319RSM is used to measure resistances for standard gauges used in tank level monitoring. The module allows analogue gauges to be connected in parallel with the module so that localised monitoring can be provided as well. The E-Plex resistive sense module can read the analogue value of a sensor and display it at other locations.

With the digital input feature, the module can detect dry contact open / close for applications like door and window magnetic reed switches.



Key Features

- Can be used to sense pressure, temperature, and fluid levels.
- Reads values from 0 – 300 ohms.
- Table generator for custom value conversions.
- Interfaces with standard resistive tank senders (0-180 & 240-30 Ohms)
- Allows for parallel interface to analogue gauges.
- Detects dry contact open / close.
- Standard EP3 connection.

Electrical Specifications

Device Resistance reading range	0-300 Ohms
LEN rating	3

Physical Specifications

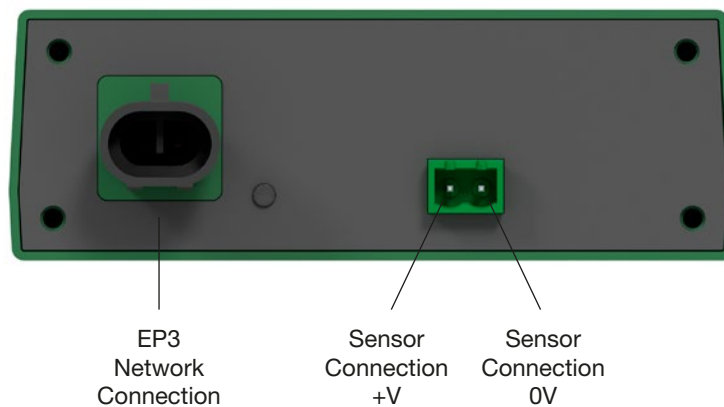
Front Bezel Material	Aluminum
Back Case Material	ABS
Operating Temperature	-20°C- 50°C (-4°F - 122°F)
Storage Temperature	-30°C- 85°C (-22°F - 185°F)
Weight	150g (5.25oz)
Overall Length	118mm (4.64")
Overall Height	41mm (1.61")
Overall Depth (including EP3 Connector and cable)	180mm (37.09")
Mounting Hole Size	M4

Terminal Connector Specifications

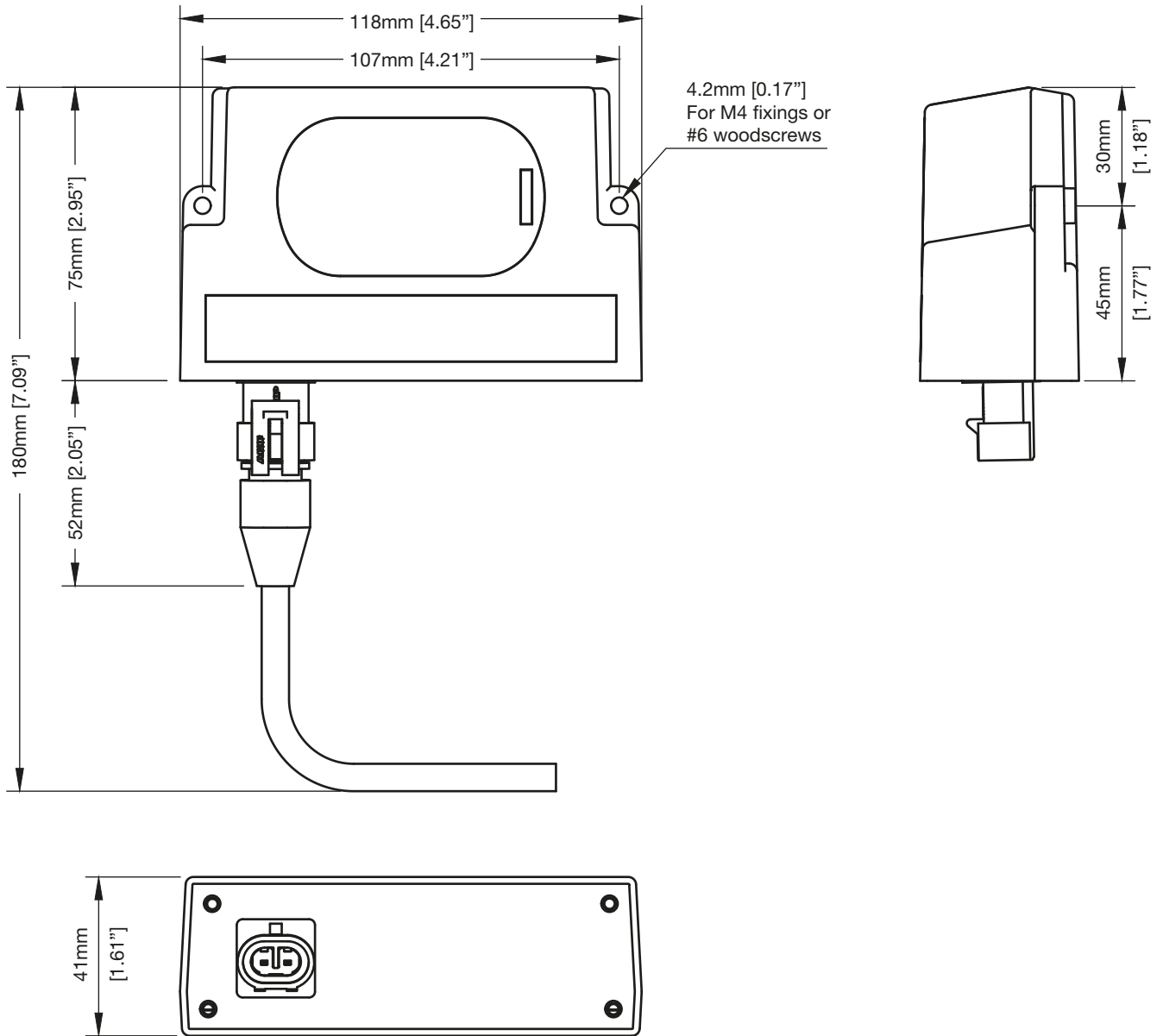
Phoenix Contact 3 Way Screw Clamp Board Connector (included with module)	
Wire gauge	0.2mm ² (24AWG) Min to 2.5mm ² (12AWG) Max
Wire Strip Length	5 – 7 mm (.19" to .27")
Communications Connectors Specifications	1 x EP3

Connection	Specifications	In / Out	Remarks
1	Sensor Input	I	0-300 Ohms
2	Sensor Ground	I	0V
3	EP3 Connection	I/O	

Connection & Wiring Diagram



Dimensional Diagram



Ordering Information

Description	Part Number
319RSM Resistive Module	EP3-MON-RESISTSEND-319RSM
Replacement Connector	EP3-MON-RESISTSEND-319RSM-CON



52 – 54 Riverside, Sir Thomas Longley Road, Medway City Estate, Rochester, Kent ME2 4DP
tel: +44 (0)1634 711622 fax: +44 (0)1634 290773

email: sales@e-plex.co
web: www.e-plex.co

Important Notice: E-Plex Ltd. (E-Plex) reserves the right to make changes to or discontinue any product or service identified in this publication without notice. E-Plex advises its customers to obtain the latest version of the relevant information to verify, before placing any orders, that the information being relied upon is current. E-Plex assumes no responsibility for infringement of patents or rights of others based on E-Plex applications assistance or product specifications since E-Plex does not possess full access concerning the use or application of customers' products. E-Plex also assumes no responsibility for customers' product designs.